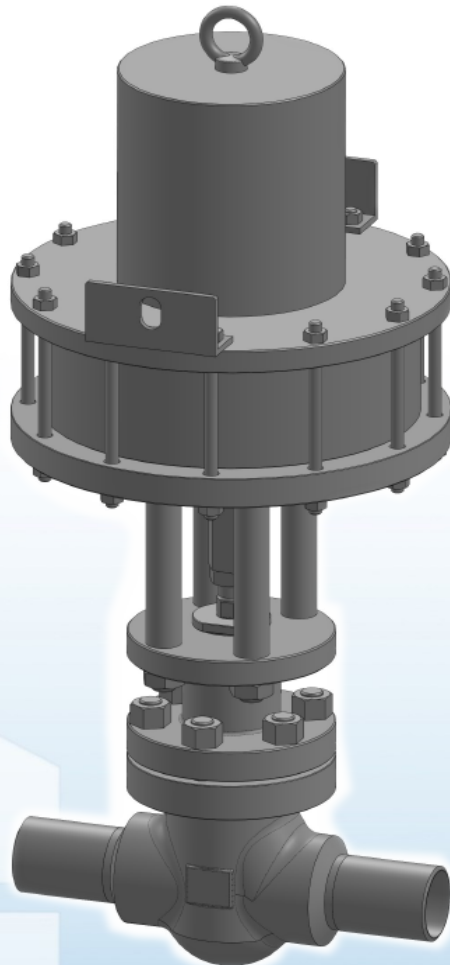




# CVF

---

**Air-Operated (Normal Closed)  
High-Temperature Bellows Valve (450°C)**



**イハラサイエンス株式会社**  
IHARA SCIENCE CORPORATION

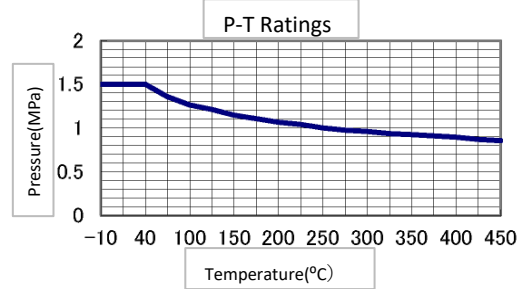
# CVF High-temperature (450 °C) Air Operation Type (NC) Bellows Valve

## Specifications

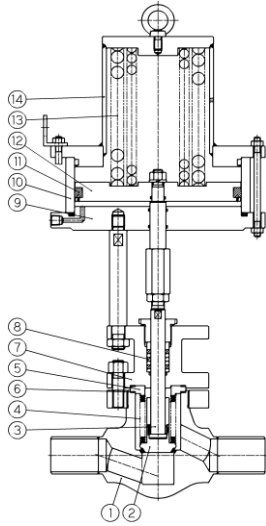
Size <sup>(※1)</sup>	Working Pressure	Working Temperature	Connection <sup>(※1)</sup>
32A	1.5MPa <sup>(※2)</sup>	450°C <sup>(※2)</sup>	Butt Welding
40A			

※1 We can accommodate other sizes and connections. Please contact us.

※2 Refer to the P-T Ratings

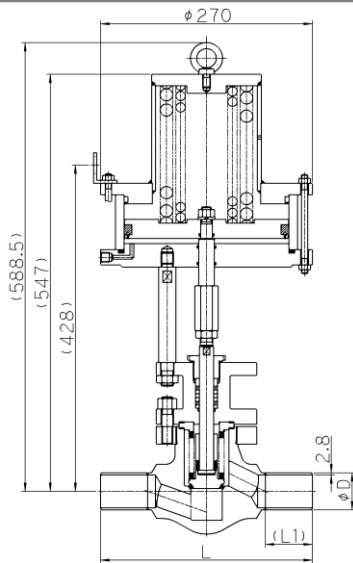


## Standard Material



No.	Part name	Material
①	Body	SUS316L
②	Disk	SUS316L
③	Stem	SUS304
④	Bellows	SUS316L
⑤	Bellows Flange	SUS316L
⑥	Gasket	SUS316L
⑦	Bonnet	SUS304
⑧	Packing	V#VF-20,25
⑨	Cylinder Flange	SUS304
⑩	Cylinder	STKM13
⑪	Packing	NBR
⑫	Piston	S25C/SS400
⑬	Spring	SUP9
⑭	Cylinder Cover	SUS304

## Measurement table



※Please contact us about the model

Size	L	L1	D	Cv	Weight
32A	265	57.5	42.7	16	56kg
40A	270	60	48.6	22	56kg

\* Air Actuator = Normal Closed only

### Warning

Failure to select and handle fittings, valves and related accessories in an appropriate manner may risk damage or injury to systems and persons. Within the responsibility and authorization of users and piping designers, fittings, valves and related accessories shall be adequately selected, used and maintained based on the applicable conditions and product conformity to the system applied.

Please read the operation manual carefully.

Please contact us with any questions or if the manual is missing.

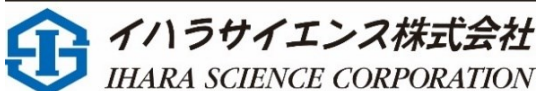
### Warranty Clause

#### 1. Warranty Period

The warranty period for our products shall be within one year from the start of use or 1.5 years from the date of delivery, whichever comes first. However, this provision shall not apply when the product is of a special specification or is used in a state that deviates from our design specifications. Also, the number of uses and replacement parts may be limited for some products. Please consult us.

#### 2. Scope of Warranty

For any failure or damage reported within the warranty period which is the maker's responsibility, a replacement product or necessary parts will be provided without charge. This warranty herein refers to the warranty of our products alone. The warranty shall not be applied to a claim for liquidated damages.



【East Japan Sales Office】

11-3 Takanawa 3-chome Minato-ku, Tokyo 〒108-0074 Japan

■ TEL: 03-6721-6981 ■ FAX: 03-6721-6991

ISO9001 / ISO14001 Certified Office

■ URL : <https://www.ihara-sc.co.jp>

■ The PO-24020107 contents of this catalogue are subject to change without notice (due to product improvements etc).

We thank you for your understanding.

CAT No. 150 R0